



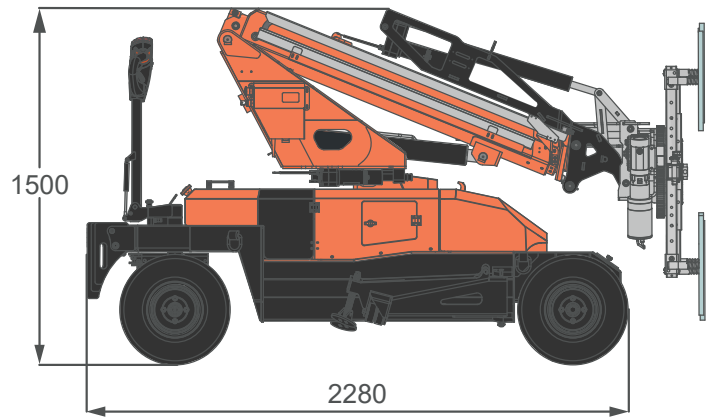
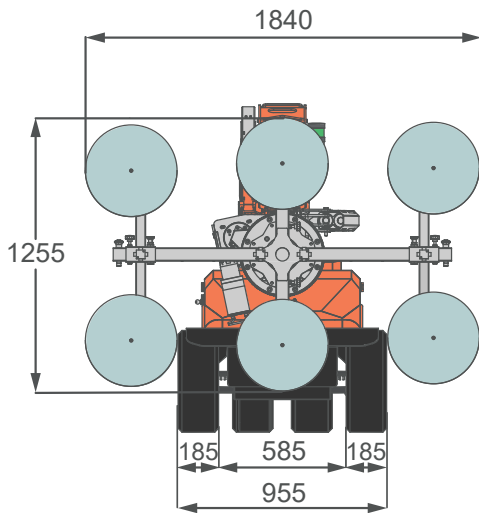
Technical Data

Specification & Capacities

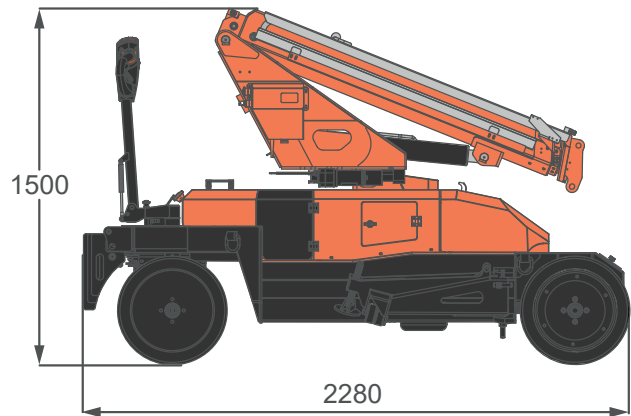
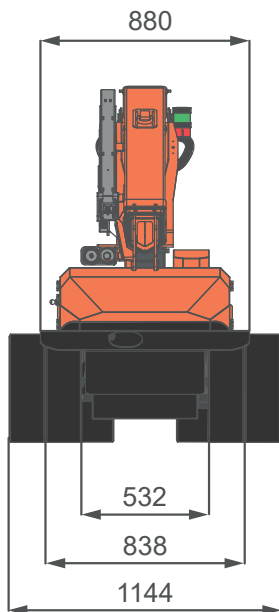
MPK10

OVERALL DIMENSIONS

MPK10



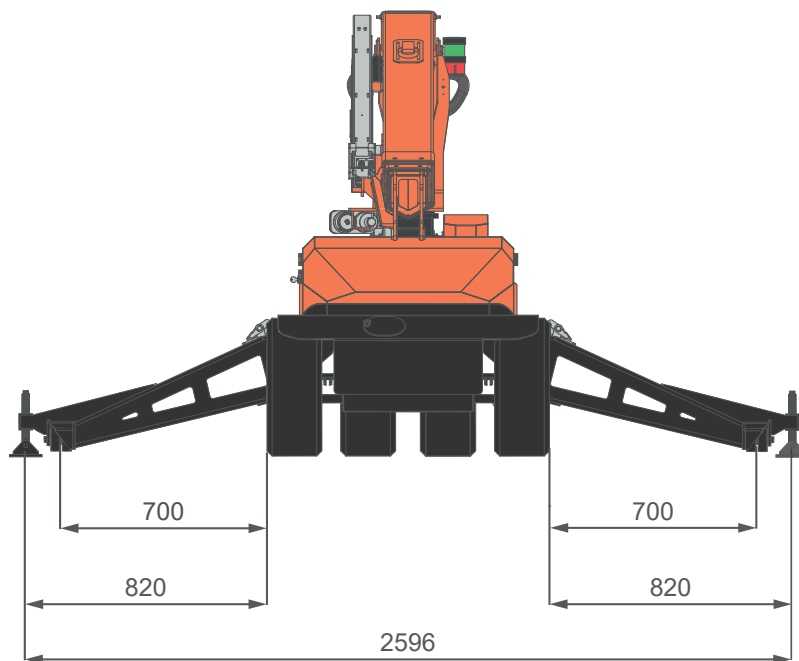
OUTDOOR WHEELS



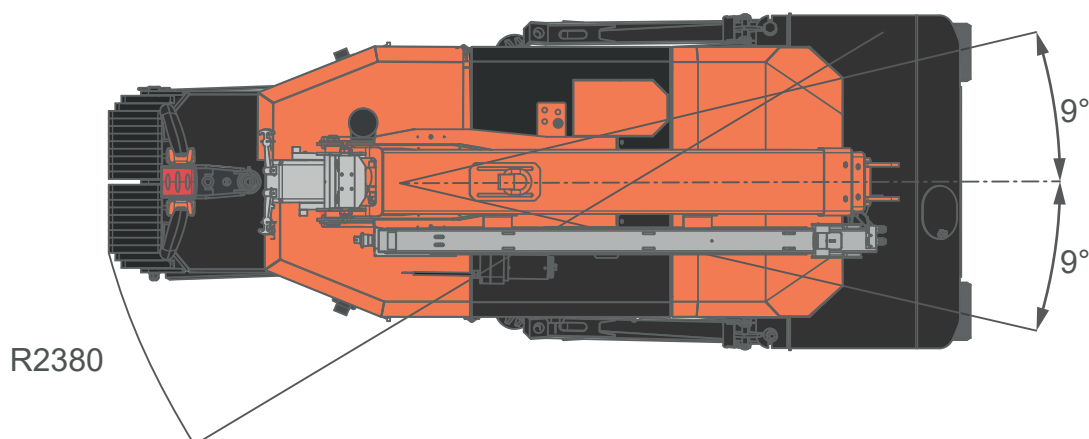
TWIN WHEELS

OVERALL DIMENSIONS

MPK10 OUTRIGGERS




BOOM SWING




OVERALL INFORMATIONS

| | | NAME | DESCRIPTION | U.M | VALUE |
|---|---|----------------------------|----------------------|-----------|------------|
| CRANE INFO |  | OVERALL DIMENSIONS | Height | mm | 1.500 |
| | | | Length | | 2.280 |
| | | | Width | | 955 |
| |  | BOOM | Length | m | 1,57 - 3,5 |
| | | | Speed | s | 48 |
| |  | SLEWING | Angle | ° | -9°/9° |
| | | | Speed | s | 7 |
| |  | LIFTING | Working Angle | ° | -21°/58° |
| | | | Speed | s | 42* |
| |  | | Max Capacity | kg | 990 |
| |  | | Back Wheel Max Load | kg | 410 |
| |  | | Front Wheel Max Load | | 1.200 |
| |  | | Travel Speed | km/h | 4 |
|  | | Gradeability* | ° | 13 | |
|  | | Working Temperature | °C | -20°/+40° | |
| | | Lifting Class (UNI 4301-1) | | A1 | |

| WEIGHTS |  | CRANE | Total | kg | 1.045 |
|---------|---|---------------|------------------|----|-------|
| | | COUNTERWEIGHT | CW1 (into frame) | kg | 100 |
| | | | CW2 (into hood) | kg | 130 |

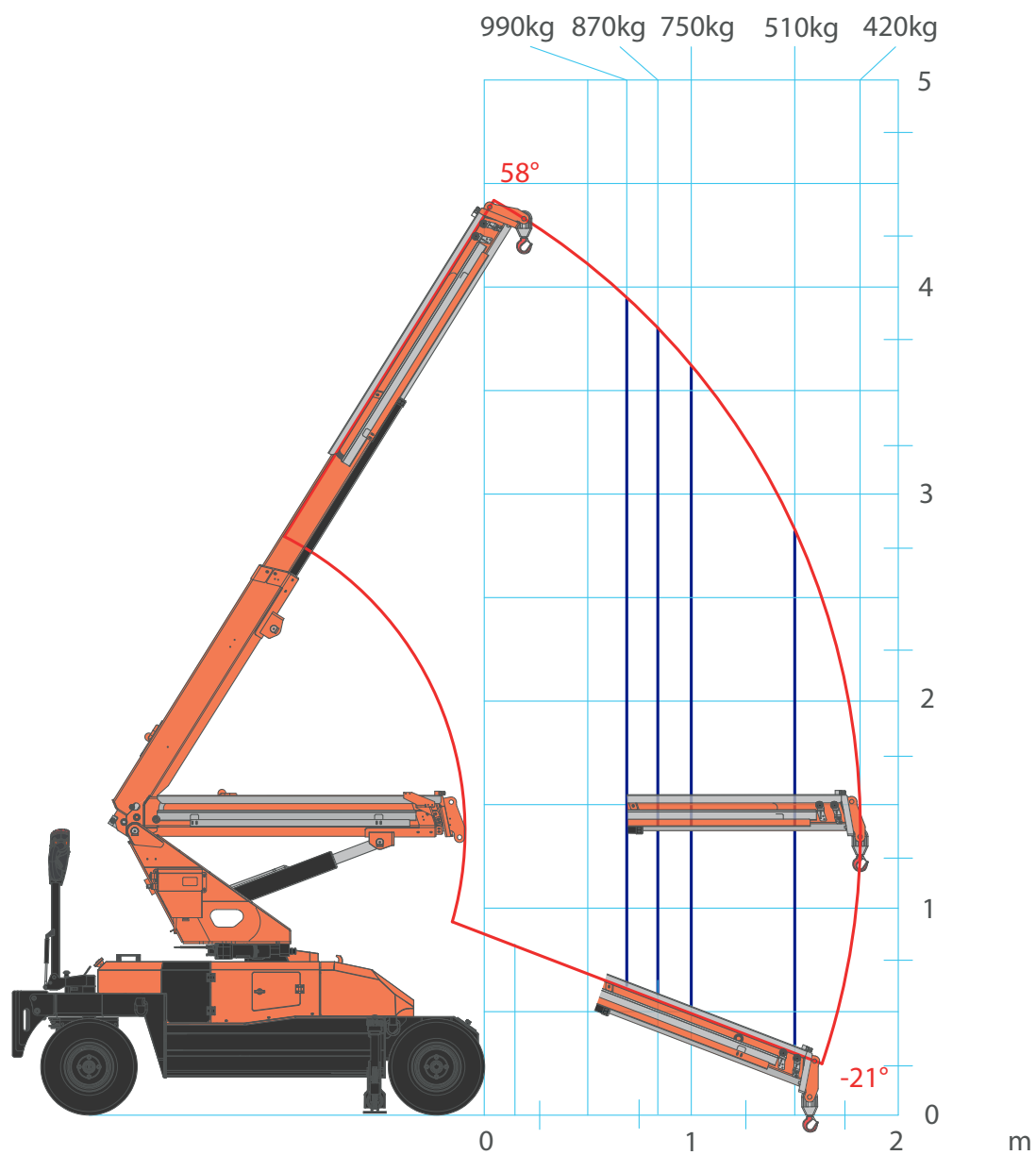
| ACCESSORIES |  | JIB | JIB MPK10 | kg | 18 |
|-------------|---|-------------------|-----------|----|-----|
| | | GLASS MANIPULATOR | JVM10EV | kg | 165 |
| | | | JVM06EV | kg | 110 |

| ENGINE |  | ELECTRIC | Voltage | V | 24 |
|--------|---|----------|---------|----|-----|
| | | | Power | kW | 2,2 |

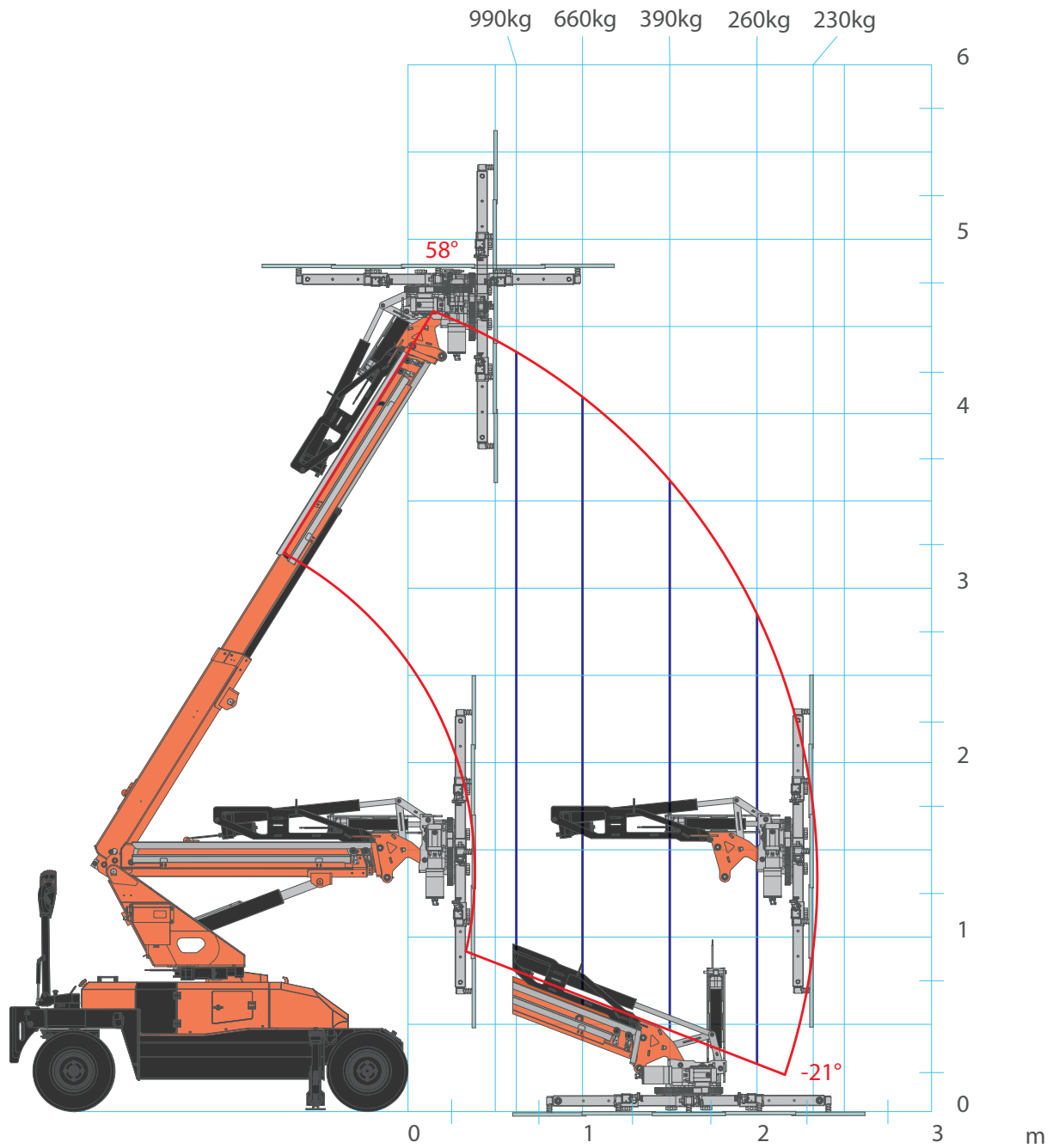
*: Max value only for short distance and a maximum of 30 seconds. Forward movement at maximum gradeability is intended with extended boom and without load

MPK10 - MAIN BOOM

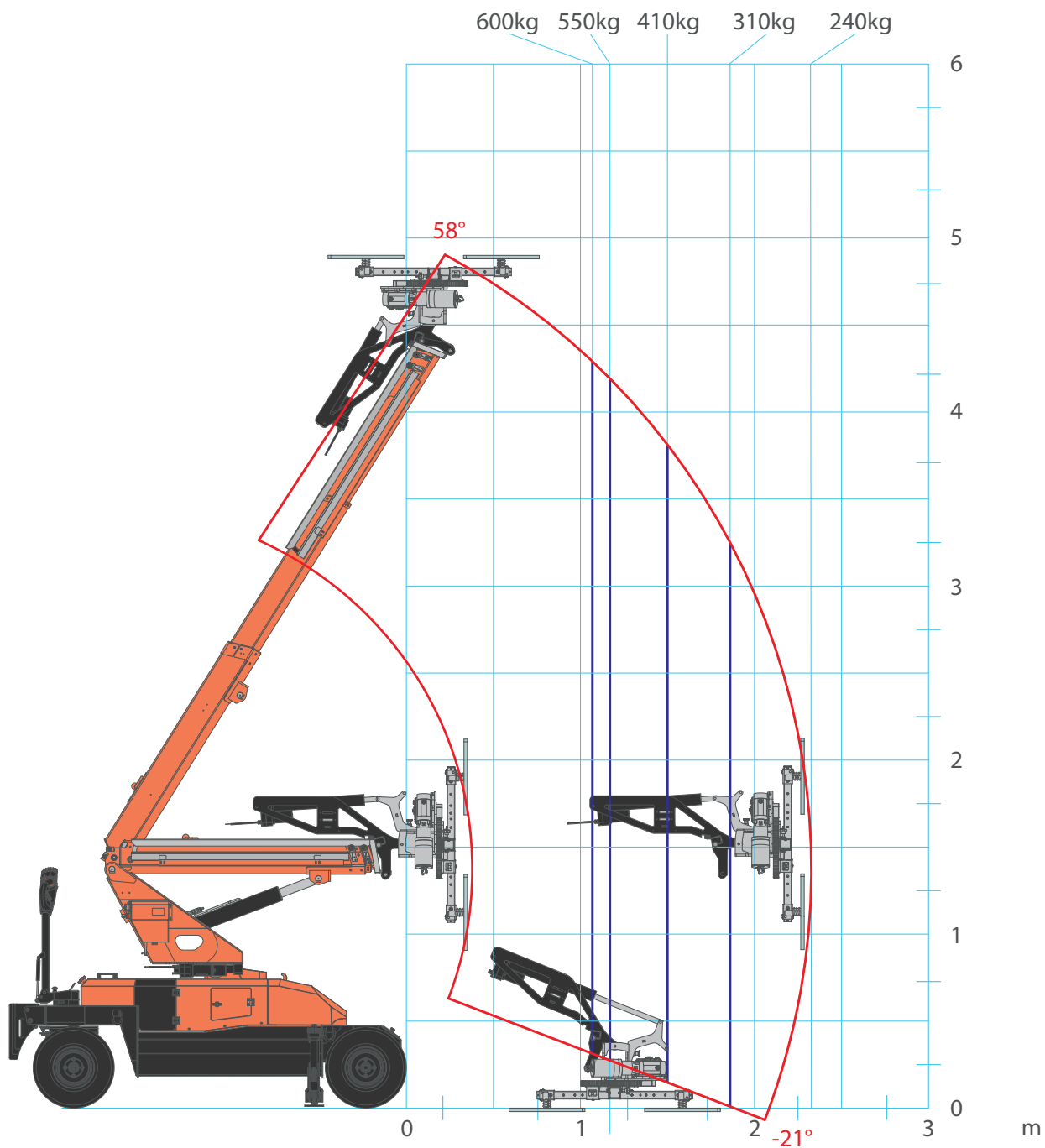
with HOOK



MPK10 - JVM10EV

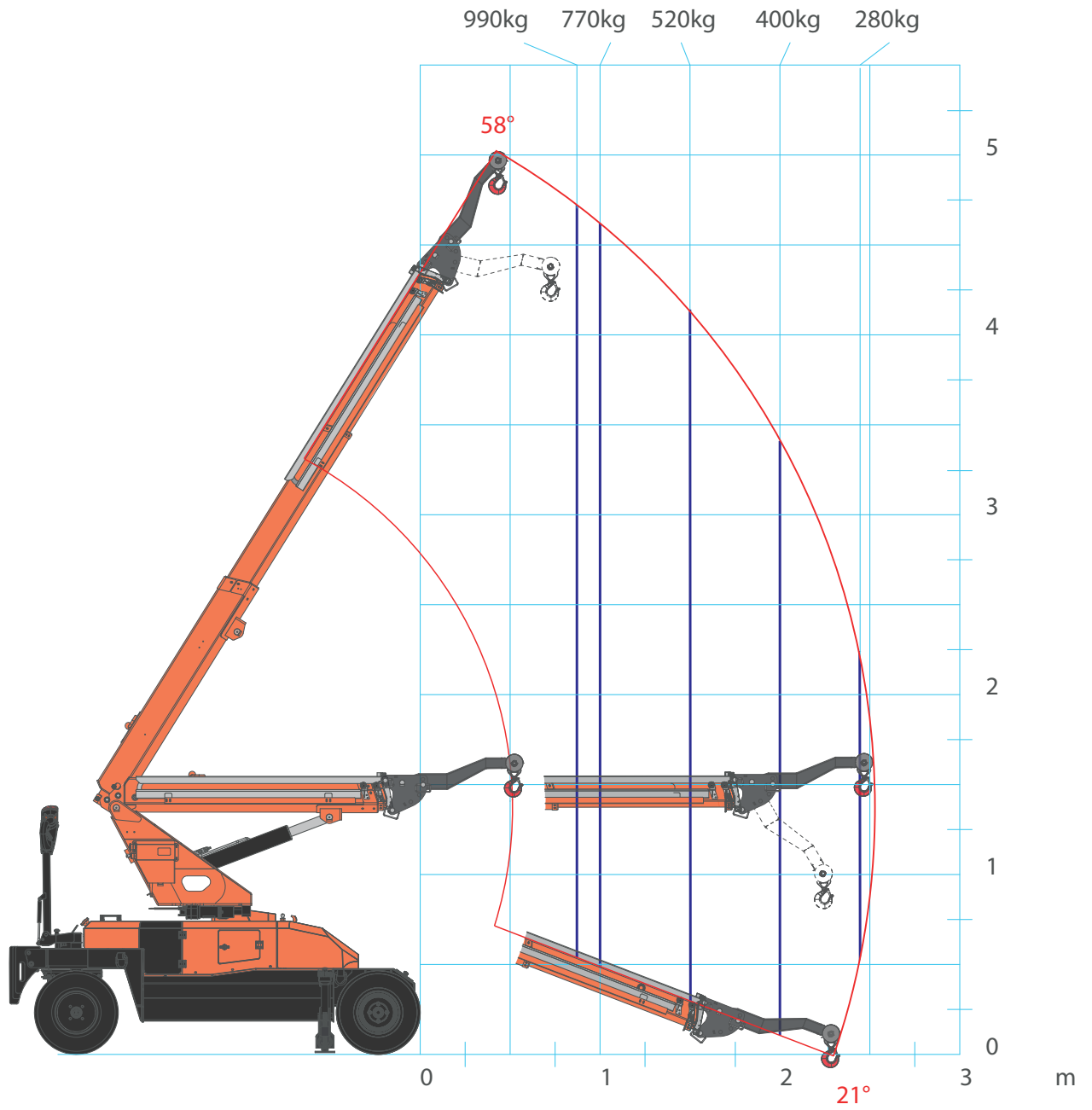


MPK10 - JVM06EV



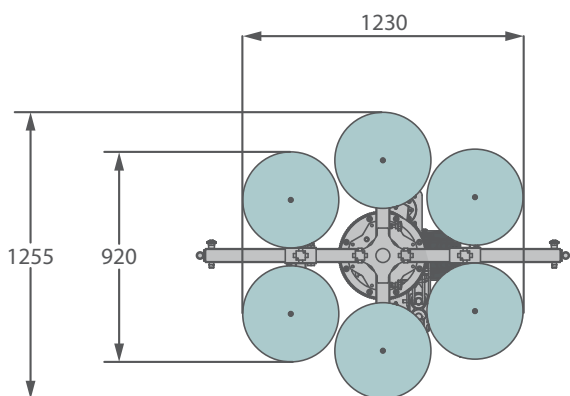
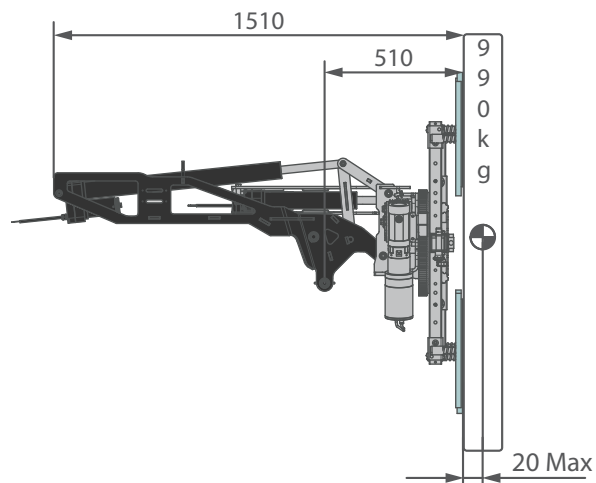
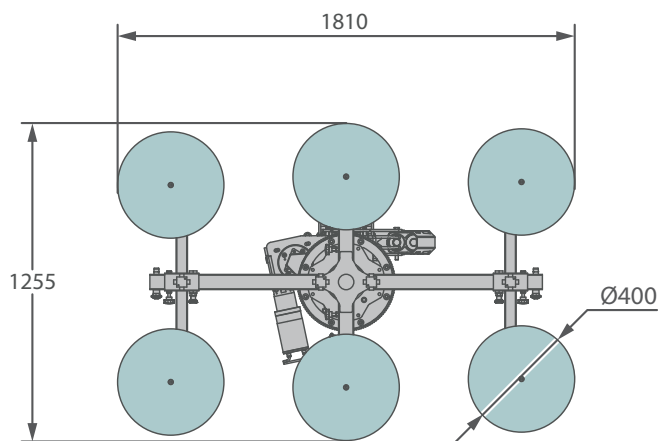
MPK10 - JIBMPK10

with HOOK

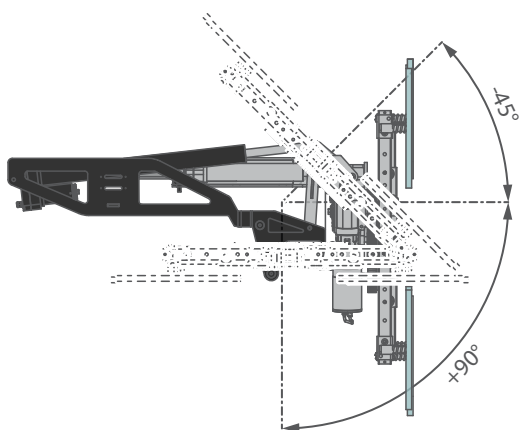


ACCESSORIES FEATURES

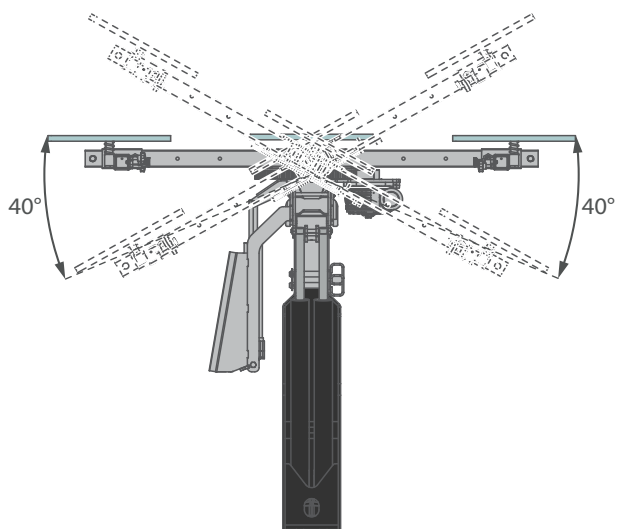
JVM10EV



TILT



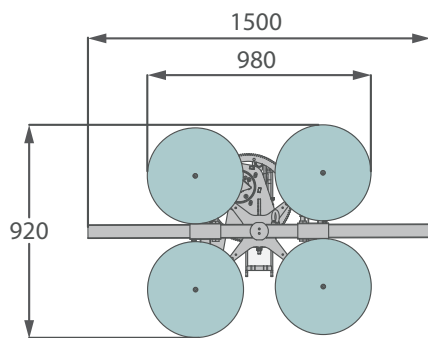
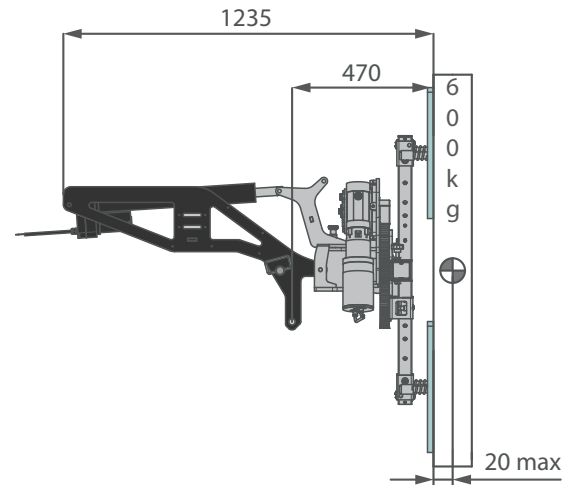
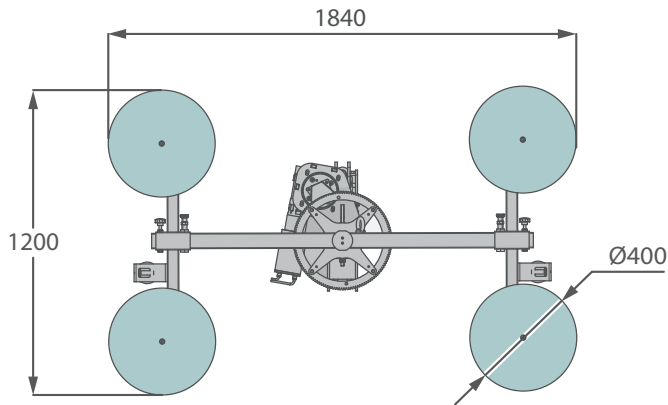
SWING



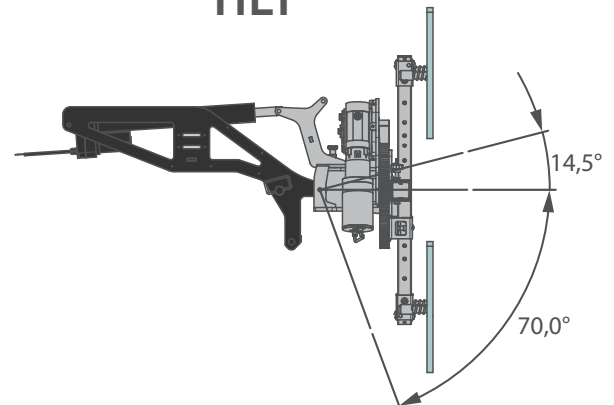
[mm]

ACCESSORIES FEATURES

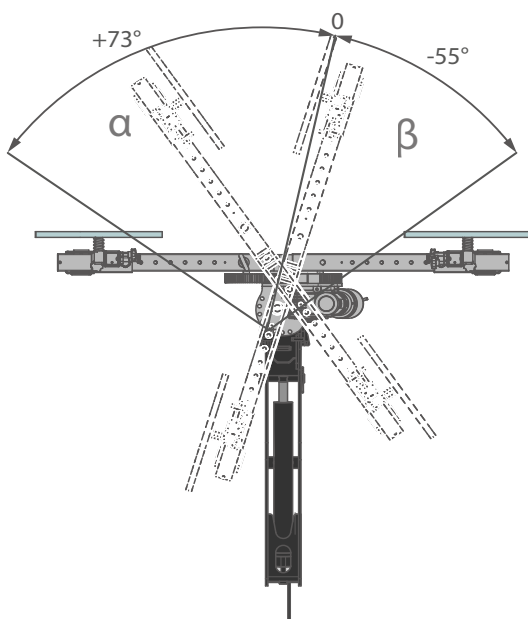
JVM06EV



TILT



SWING

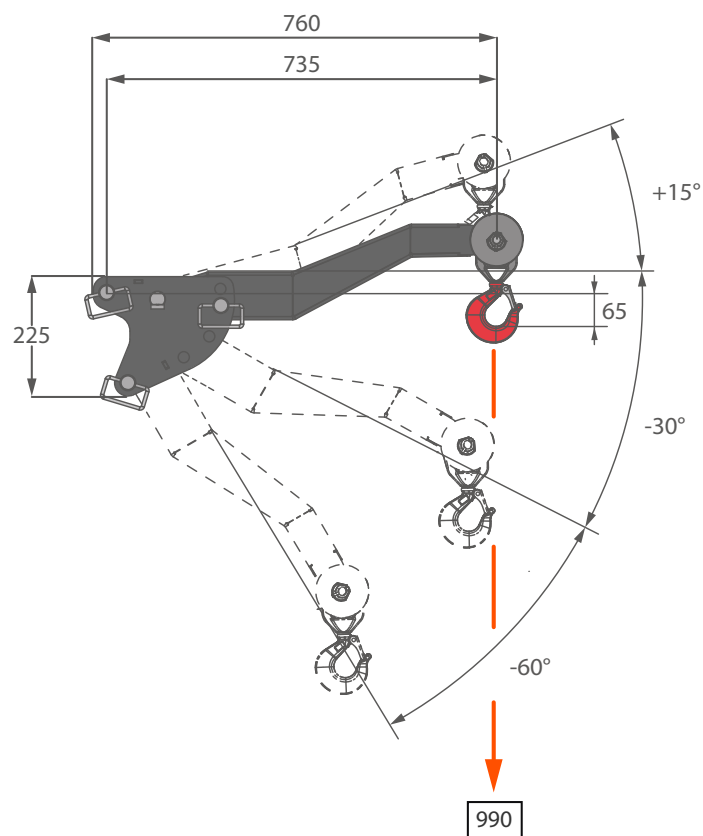



| α | |
|------|------------------------|
| +73° | 5 POSIZIONI OGNI 18,3° |
| β | |
| -55° | 4 POSIZIONI OGNI 18,3° |

[mm]

ACCESSORIES FEATURES

JIB MPK10

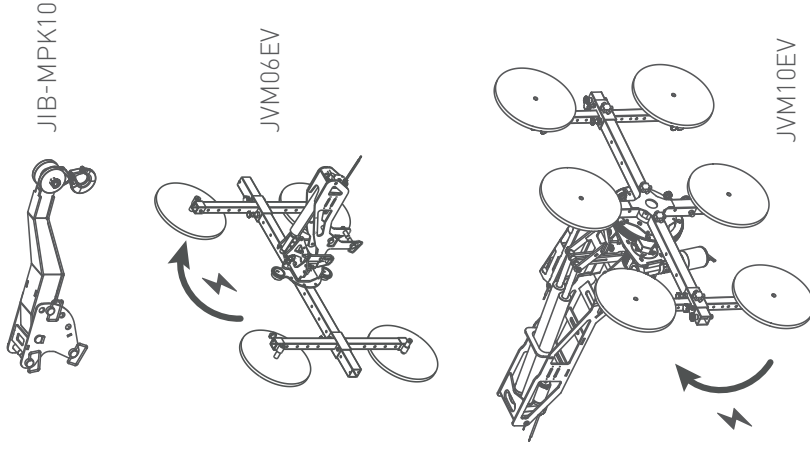


| | | | | |
|---|------------|-----------|----|----|
|  | JIB | JIB-MPK10 | kg | 20 |
|---|------------|-----------|----|----|

[mm]

ACCESSORIES MPK10

ATTACHMENTS & TOOLS



BATTERY CHARGERS



RC-MPK10



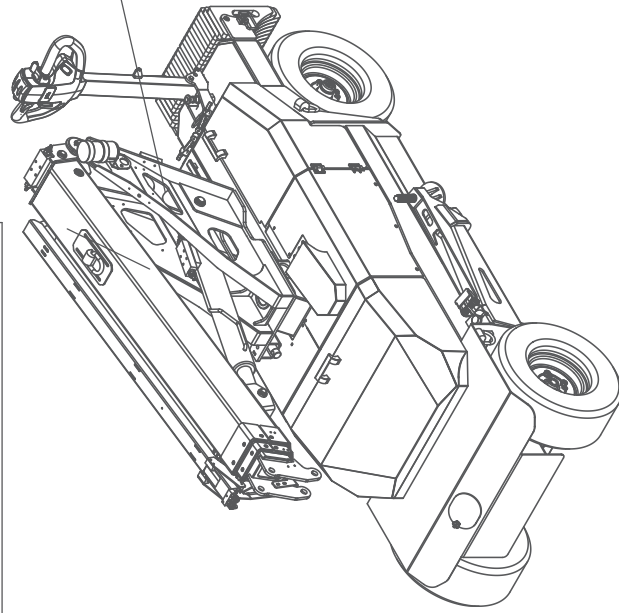
HOOK-MPK-JR



WT-MPK10












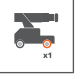




WT-MPK10-XL




| CRANE COLOR | STANDARD | PC03 |
|-----------------|---|----------------------------------|
| Boom & Covers |  RAL2004 | <input type="checkbox"/> RAL |
| Chassis, Frames |  RAL7021 | <input type="checkbox"/> RAL7021 |

SYMBOLS

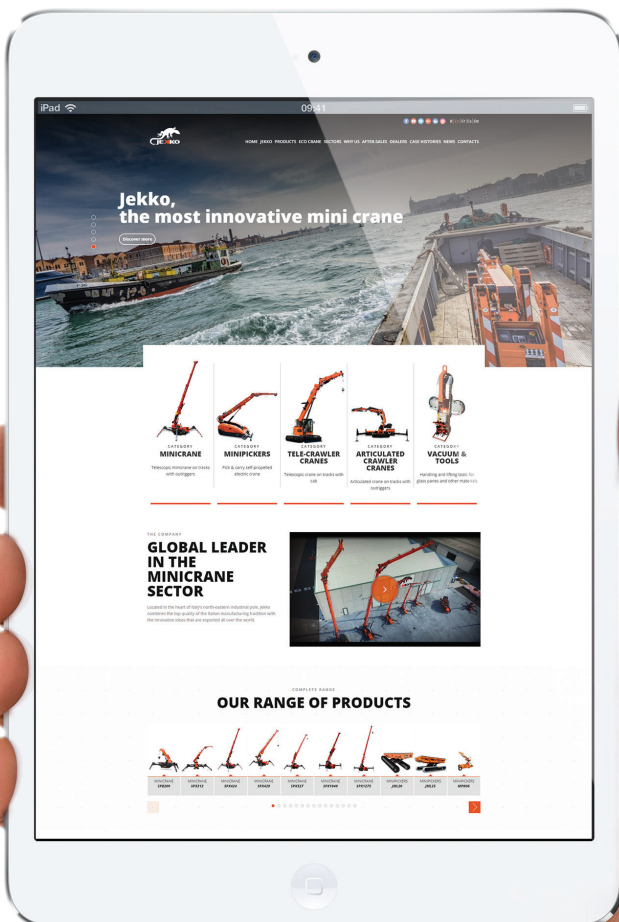
| | | | |
|---|---|---|---|
|  Minipicker |  Electric Engine |  Boom Angle |  Weight |
|  Travel Speed |  Maximum Capacity |  Boom Length |  Back Wheel Loading Point |
|  Gradeability |  Slewing |  Jib |  Front Wheel Loading Point |
|  Glass Manipulator |  Working Temperature | | |

REMARKS REFERRING TO LOAD CHART

- Load charts are calculated according to EN 13000.
- For the calculation of the load charts at least a wind speed of 9m/s (33km/h) and regarding the load a sail area of 1m² per ton load and a wind resistance coefficient of 1.2 on the load have been taken into account. For lifting of loads with large sail areas and/or high wind resistance coefficients the maximum wind speed as stated in the load charts has to be reduced.
- Lifting capacities are given in kilograms.
- The weight of the hook blocks and hooks is part of the load and therefore it must be deducted from the lifting capacities.
- Working radii are measured from the slewing centre.
- The lifting capacities given for the telescopic boom apply if the folding jib is removed.
- Subject to modification of lifting capacities.

YOUR JEKKO DEALER

EN All specifications and features herein described can be changed without prior advice. All indicated data are indicative only and are not binding as crane performs differently depending on its use. **IT** Tutte le caratteristiche e le specifiche descritte possono essere soggette a variazioni senza preavviso. Tutti i dati riportati sono forniti a puro titolo informativo e non sono impegnativi dal momento che le prestazioni della macchina variano in funzione dell'utilizzo. **DE** Unangekündigte Änderungen sämtlicher Eigenschaften und Daten sind möglich. Alle Angaben sind Richtwerte und nicht verbindlich da die Leistungen der Vorrichtung von deren Einsatz abhängen. **ES** Todas las características y las especificaciones aquí indicadas pueden ser sujetas a variaciones sin aviso. Se dan todos los datos aquí indicados como simples informaciones. No se consideran como vinculantes, dado que las prestaciones del maquinario pueden variar. **FR** Toutes les caractéristiques et le spécifications descriptives peut être sujet à variation sans préavis. Tout les données rapportés sont fournis à titre informatif et ne sont pas engager au moment que la prestation de la machine varie en fonction de l'emploi.



www.jekko-cranes.com

Visit jekko-cranes.com to keep in contact with us, discover all the latest news and find out technical details of all our products.



Jekko s.r.l.

Via Campardone, 1 - 31014 Colle Umberto (TV) - Italy
info@jekko.it - www.jekko-cranes.com

SERIAL NUMBER:



11.04.2022 | Rev.7